

Weatherbot Board

Sensors:

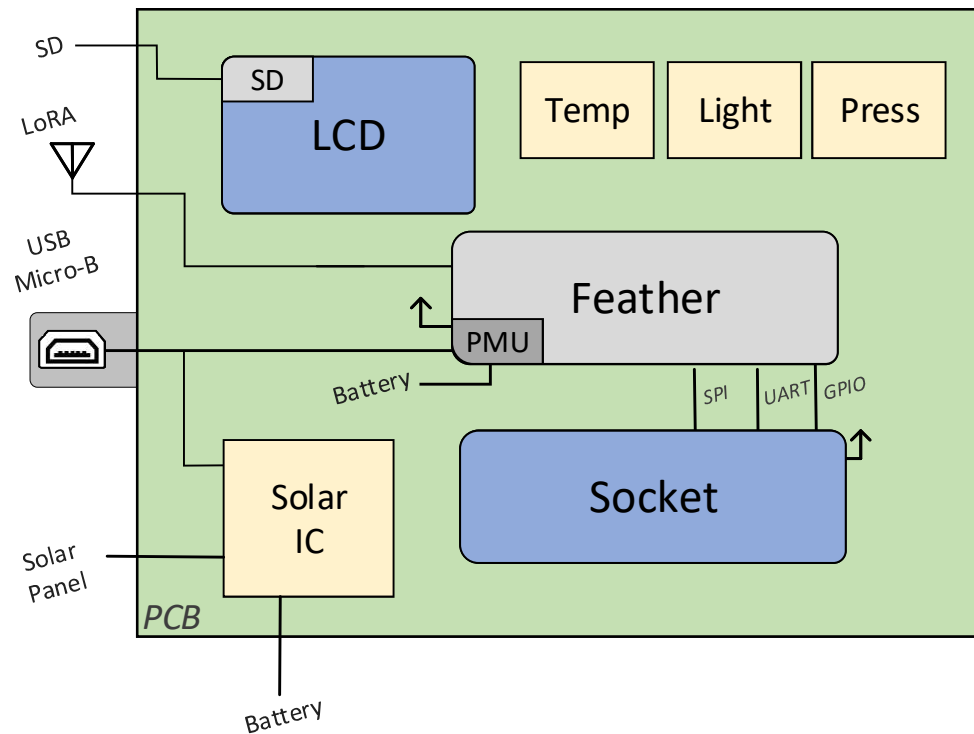
- Ambient Light
- Temp & Humidity
- Pressure

Interface Support:

- Wireless – WiFi, BLE & Cell
- Sense Network -LoRa
- Wired – LAN & USB

Casing:

- USB access
- SD Featherwing access
- External LoRA antenna



Control:

- Feather
 - SAMD21 Cortex-M0
 - LoRa
 - Power (3.3/5/Bat/Slr)

Power:

- USB
- Battery (IC charge, Feather Ido)
- Solar (Separate IC)